



Deterrent spikes to repel birds. Recommended for low medium and strong bird pressures.



ACTION

The dual action of **CABLE BIRD®** rods prevents pigeons from settling on buildings ledges.

When the bird attempts to land, the rod rotates (**ECOPIC** patent) and vibrates with a spring effect.

The vibrations of the rod prevent the bird from settling.

MAIN ADVANTAGES

- Very fast fitting, with silicone adhesive
- Dual-action for guaranteed results
- Discreet
- Support fitted with no grilling
- No risk for hurting the birds
- Ideal for windowsills
- Good value, economical

No deterioration of the support because of non-drilling

PROTECTION

- All types of edifices
- Cornices
- Guardrails
- Gutters
- Handrails
- Windowsills

DESCRIPTION

STEELINOX® rod system (**ECOPIC** Product and Brand) fitted on UV-stabilised polycarbonate supports that are stuck to the surface to be protected.

To increase protection, supports can be single or double, holding one or two rods.

CABLE BIRD® has a 5 years warranty*.

FITTING

CABLE BIRD® can be fitted to all types of supports (zinc, wood, stone...).

Very fast using silicone adhesive.

Recommendation for optimised gluing : **SELFIXING®** silicone adhesive.



*Guarantee - ECOPIC conditions available upon simply request. Pictures and drawings non-contractual - 29/06 - © 2023 copyright all rights reserved





Deterrent spikes to repel birds. Recommended for low medium and strong bird pressures.



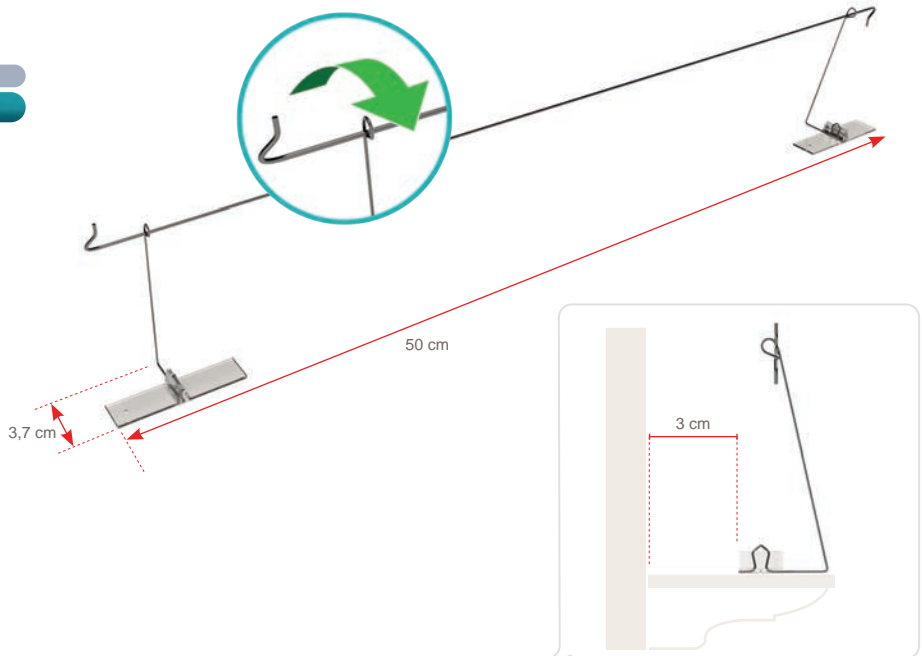
CABLE BIRD® 1

REF.	DESCRIPTION	PACKAGING
CBD104	Cable Bird® Simple	50 linear meter

- Product dimensions : 50 x 3,7 x 9 cm.
- Packaging dimensions : 58 x 15 x 7 cm box for 1,835 kg.
- Protected width : 3,7 to 6,7 cm.

One kit includes :

- 200 polycarbonate supports anti-UV treated in the mass
- 200 simple **STEELINOX®** hooks Ø 1.2 mm.
The material used permits a high resistance, so high efficiency.
Spring effect combined cable / hook.
- 100 **STEELINOX®** Ø 1.4 mm rods.



CABLE BIRD® 2

REF.	DESCRIPTION	PACKAGING
CBD105	Cable Bird® Double	50 linear meter

- Product dimensions : 50 x 5 x 9 cm.
- Packaging dimensions : 58 x 15 x 7 cm box for 2,752 kg.
- Protected width : 5 to 8 cm.

One kit includes :

- 200 polycarbonate supports anti-UV treated in the mass
- 200 double **STEELINOX®** hooks Ø 1.2 mm.
The material used permits a high resistance, so high efficiency.
Spring effect combined cable / hook.
- 200 **STEELINOX®** Ø 1.4 mm rods.

